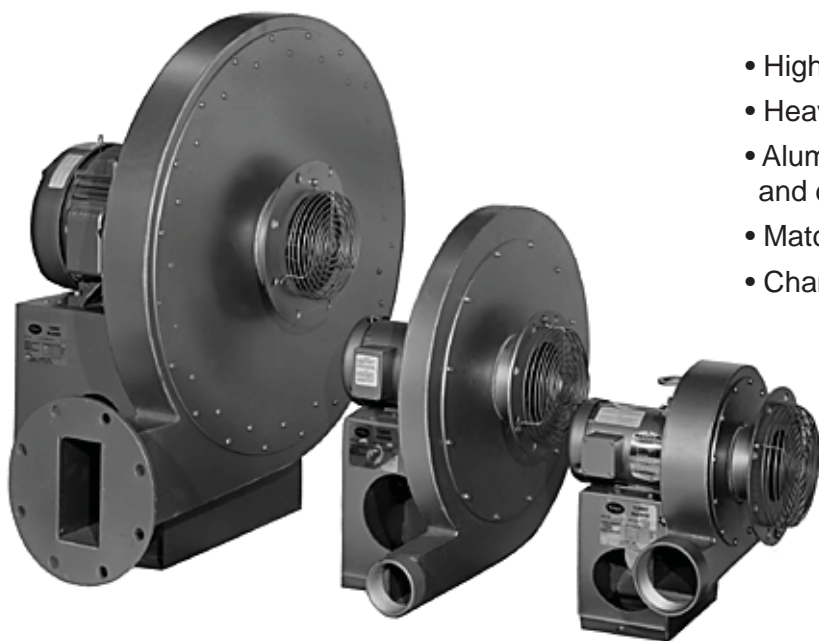


ECLIPSE TURBO BLOWERS SERIES “SMJ”



- High efficiency
- Heavy gauge steel base and housing
- Aluminum impellers balanced statically and dynamically
- Matching air filters available
- Changeable outlet positions

Eclipse “SMJ” Blowers are centrifugal blowers that provide low pressure air for industrial combustion systems. They are also used for cooling, conveying, drying, liquid agitation, smoke abatement, vacuum cleaning, fume and dust exhausting, and other applications where air temperatures are under 220°F (104°C). “SMJ” Blowers are listed by nominal pressure that is corrected for an air inlet temperature of 70°F (21°C) and a barometric pressure of 29.92” Hg (1013mbar).

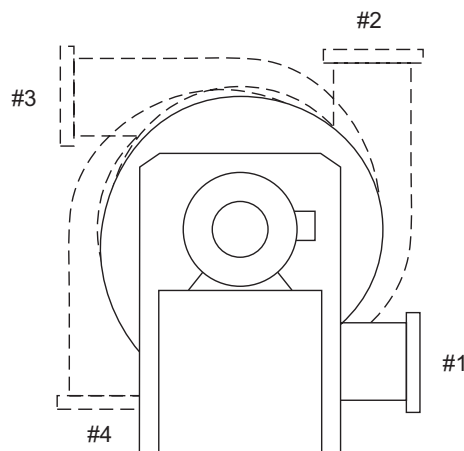
All “SMJ” Blowers are constructed of continuous welded, heavy gauge steel. The impellers are made of lightweight, high strength, riveted aluminum. Outlets on 3” and 4” models are threaded, while all others are flanged for a standard 125# ANSI companion flange. Discharge ports are sized to keep pressure losses within reasonable limits.

Blower inlet flanges are equipped with a grill that complies with OSHA regulations. If desired, the grill may be removed and the inlet bolted to a standard ANSI companion flange. Eclipse-supplied motors are standard shaft and starting torque, ball bearing, 3600 rpm units. On any blower requiring 3/4 HP or more, Eclipse recommends that polyphase motors be used.

There are four possible outlet positions. Any existing position is easily changed by removing the housing from

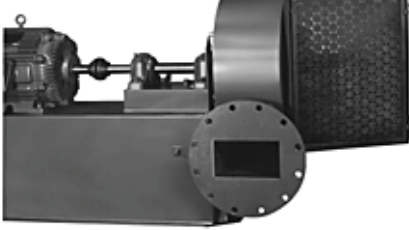
the blower base and remounting it in the desired position. Positions 1 through 3 can be specified for any blower. Position 4, however, requires factory approval before ordering. Position 1 is the standard assembly (bottom, horizontal) unless otherwise specified.

“SMJ” Blowers can be supplied with counterclockwise (CCW) or clockwise (CW) rotation as viewed from the motor side. CCW rotation is furnished standard unless otherwise specified.



Outlet Positions

Model Variations



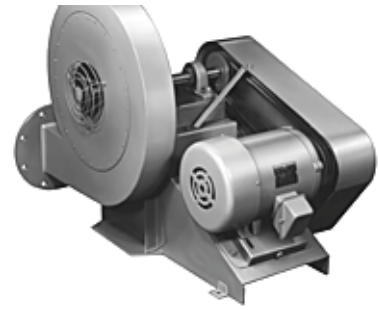
Type "D"
A.M.C.A. Arrangement #8

Type "D" construction features a separate impeller shaft connected to the motor shaft by a flexible coupling. It is often used where immediate interchangeability of motors is required (photo shows inlet filter installed).



Type "P"
A.M.C.A. Arrangement #1

Type "P" construction permits the blower to be driven by a gasoline engine, line shaft or other separate power source.



Type "V"
A.M.C.A. Arrangement #9

Type "V" construction is normally used when 60 cycle AC current is not available and motor speeds result in less than standard rpm. The V-belt drives the impeller at standard rpm regardless of motor speed.

Air Inlet Filters

Filters must be ordered separately.

Single Washable Element
(Double Also Available)
Bulletin 615



Non-washable Cylindrical Element
Bulletin 616



Round Replaceable Element
Bulletin 614



Pressure Switches



Model AA-A2-6
Bulletin I-354

Eclipse-Dungs Air Pressure Switch

Model A2 is available in a wide selection of setpoint pressure ranges for a maximum pressure of 7 PSI (498 mbar). This pressure switch is CSA certified, FM approved and UL listed. Its calibrated blue knob provides easy and accurate adjustment. A 1/4" N.P.T. high pressure air inlet connection is located on the switch bottom.

Round Filters

Catalog Number	Assembly Number	Blower Inlet Size	Max. Capacity	
			SCFH	m3/h
25FAJ-S	200758	4"	25,000	707
25FAJ-M	200757	6" & 8"	30,000	707
50FAJ	200756	6" & 8"	50,000	1,413
150FAJ-S	200754	6" & 8"	150,000	4,248
150FAJ-M	200755	10" & 12"	150,000	4,248
250FAJ-L	200753	10" & 12"	250,000	7,065

The discharge pressure of the blower will be reduced by approximately 0.15" w.c. (0.37 mbar) with the filter assembly installed.

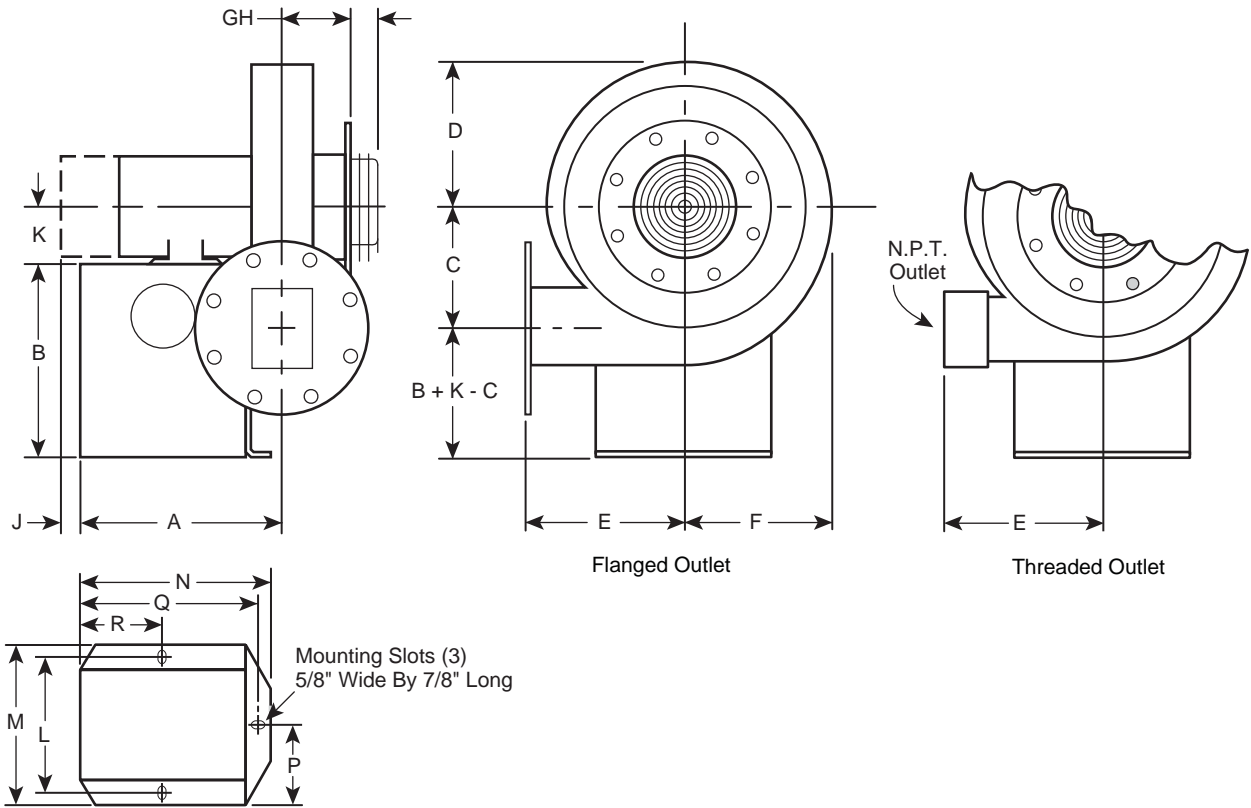
Capacities - 3600 rpm Motor

Blower Catalog No.	Motor HP	Service Factor	Inlet Size	Nominal Rating at Service Factor 1.0			
				"w.c.	SCFH	mbar	m3/h
SMJ 4610	1/3	1.35	6	7.0	6,900	17.4	195
SMJ 4610	1/2	1.25	6	7.0	15,000	17.4	425
SMJ 6812	1-1/2	1.15	8	9.5	40,300	23.7	1,141
SMJ 3412	1/3	1.35	4	10.0	4,800	24.9	136
SMJ 4412	1/2	1.25	4	10.5	8,600	24.9	244
SMJ 4412	3/4	1.25	4	10.0	14,000	24.9	396
SMJ 6812	2	1.15	8	10.0	45,000	24.9	1,274
SMJ 6812	1	1.25	8	10.5	19,000	26.2	538
SMJ 8813	3	1.15	8	12.0	58,000	29.9	1,643
SMJ 6614	2	1.15	6	13.0	31,500	32.4	901
SMJ 6614	1-1/2	1.15	6	13.1	29,500	32.6	821
SMJ 8815	5	1.15	8	13.5	75,000	33.6	2,124
SMJ 8814	3	1.15	8	13.5	52,500	33.6	1,487
SMJ 3414	3/4	1.25	4	14.0	10,000	34.9	283
SMJ 4614	1	1.25	6	14.5	12,200	36.1	346
SMJ 3414	1/2	1.25	4	14.7	5,160	36.6	146
SMJ 6615	2	1.15	6	15.6	25,000	38.9	708
SMJ 4615	3/4	1.25	6	16.0	7,500	39.9	212
SMJ 8815	3	1.15	8	16.7	38,500	41.6	1,090
SMJ 4615	1	1.25	6	17.0	15,300	42.3	433
SMJ 8816	5	1.15	8	17.0	70,000	42.3	1,982
SMJ 101016	7-1/2	1.15	10	17.0	86,000	42.3	2,436
SMJ 121217	15	1.15	12	17.5	190,000	43.6	5,381
SMJ 4616	1-1/2	1.25	6	18.0	23,000	44.8	651
SMJ 101016	10	1.15	10	18.0	143,000	44.8	4,050
SMJ 6617	2	1.15	6	19.8	20,000	49.3	541
SMJ 121217	10	1.15	12	20.0	125,000	49.8	3,540
SMJ 4617	1-1/2	1.15	6	20.0	15,000	49.8	425
SMJ 8817	7-1/2	1.15	8	20.0	85,000	49.8	2,407
SMJ 101018	15	1.15	10	20.0	165,000	49.8	4,673
SMJ 6617	3	1.15	6	20.2	32,000	50.3	906
SMJ 4616	1	1.25	6	20.2	10,000	50.3	283
SMJ 8817	5	1.15	8	21.5	55,000	53.6	1,558
SMJ 3619	1-1/2	1.15	6	27.2	8,850	67.8	251
SMJ 121220	20	1.15	12	28.0	163,000	69.7	4,616
SMJ 3619	2	1.15	6	28.2	10,500	70.2	297
SMJ 6619	5	1.15	6	28.2	41,200	70.2	1,167
SMJ 6619	3	1.15	6	28.2	20,500	70.2	581
SMJ 8819	7-1/2	1.15	8	28.2	57,000	70.2	1,614
SMJ 4619	2	1.15	6	28.7	12,250	71.5	347
SMJ 101019	10	1.15	10	29.0	73,000	72.2	2,067
SMJ 121219	15	1.15	12	29.2	116,000	72.7	3,285
SMJ 121221	25	1.15	12	30.0	209,000	74.7	5,919
SMJ 6621	3	1.15	6	31.0	12,500	77.2	354
SMJ 4621	2	1.15	6	31.5	4,600	78.5	130
SMJ 8821	7-1/2	1.15	8	32.0	37,000	79.7	1,048

Blower Catalog No.	Motor HP	Service Factor	Inlet Size	Nominal Rating at Service Factor 1.0			
				"w.c.	SCFH	mbar	m3/h
SMJ 6621	5	1.15	6	32.8	33,500	81.7	949
SMJ 8821	10	1.15	8	32.8	54,000	81.7	1,529
SMJ 101021	20	1.15	10	34.0	133,000	84.7	3,767
SMJ 101021	15	1.15	10	34.7	101,500	86.4	2,875
SMJ 4623	3	1.15	6	36.8	8,000	91.7	227
SMJ 121222	25	1.15	12	37.2	180,000	92.7	5,098
SMJ 6623	7-1/2	1.15	6	39.5	35,500	98.4	1,005
SMJ 8823	10	1.15	8	40.5	49,000	100.9	1,388
SMJ 101023	25	1.15	10	41.0	153,000	102.1	4,333
SMJ 8823	15	1.15	8	41.0	85,000	102.1	2,407
SMJ 4623	5	1.15	6	41.5	22,600	103.4	640
SMJ 101023	20	1.15	10	41.8	110,000	104.1	3,115
SMJ 4628	5	1.15	6	53.8	9,500	134.0	269
SMJ 8828	10	1.15	8	55.3	32,000	137.7	906
SMJ 4628	7-1/2	1.15	6	55.7	17,200	138.7	487
SMJ 8828	20	1.15	8	58.4	78,000	145.5	2,209
SMJ 8828	15	1.15	8	59.0	53,000	147.0	1,501
SMJ 8828	25	1.15	8	59.0	95,000	147.0	2,690

- Pressures are corrected for an air inlet temperature of 70°F (21°C) and a barometric pressure of 29.92" Hg (1.01 bar).
- Greater flows available at reduced pressure if HP rating is exceeded. See blower curves in Datasheet 610 for details.
- If motor operates continuously at a service factor greater than 1.0, it will have a reduced life expectancy compared to operating at its rated nameplate horsepower.

Dimensions & Specifications –English Units



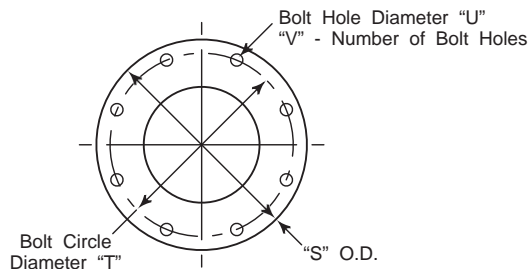
Base*	Dimensions, in Inches						Bolt Dia.
	L	M	N	P	Q	R	
1	7-3/4	9-3/4	10	4-7/8	9	3-7/8	1/2
2	9-1/4	11-1/4	11	5-5/8	10	4-3/8	1/2
3	10	12	11-1/2	6	11	4-5/8	1/2
4	11	13	12	6-1/2	11	4-7/8	1/2
5	12	14	15-1/2	7	14-1/2	6-5/8	1/2
6	13-3/4	15-3/4	17-1/2	7-7/8	16-1/2	7-5/8	1/2
7	17	19	19-1/2	9-1/2	18-1/2	8-5/8	1/2

* See the main dimension table to find the base used on each blower.

Dimension "K" And Blower Motor Specifications All motors are 3600 RPM.

HP	Encl.	Frame Size	S.F.	Dim. "K" (Inches)	V/Ph./Hz.	Part
1/3	TEFC	48	1.35	3	115/230/1/60	10755
1/3	TEFC	48	1.25	3	230/460/3/60	10448
1/2	TEFC	48	1.25	3	115/230/1/60	14531
1/2	TEFC	48	1.25	3	230/460/3/60	10449
1/2	TEFC	56	1.25	3-1/2	230/460/3/60	10032
3/4	TEFC	56	1.25	3-1/2	115/230/1/60	18777
3/4	TEFC	56	1.25	3-1/2	230/460/3/60	17723
1	TEFC	56	1.25	3-1/2	230/460/3/60	11189
1-1/2	TEFC	143T	1.15	3-1/2	230/460/3/60	10054797
1-1/2	TEFC	143T	1.15	3-1/2	115/230/1/60	16634
2	TEFC	145T	1.15	3-1/2	230/460/3/60	10054810
3	TEFC	182T	1.15	4-1/2	230/460/3/60	10054820
5	TEFC	184T	1.15	4-1/2	230/460/3/60	10054828
7-1/2	TEFC	213T	1.15	5-1/4	230/460/3/60	10054837
10	TEFC	215T	1.15	5-1/4	230/460/3/60	10054804
15	TEFC	254T	1.15	6-1/4	230/460/3/60	10054806
20	TEFC	256T	1.15	6-1/4	230/460/3/60	10054816
25	TEFC	284T	1.15	7	230/460/3/60	10054818

Flange Dimensions



Nominal Pipe Size	Dimensions, in Inches				Bolt Dia.
	S	T	U	V	
3	7-1/2	6	3/4	4	5/8
4	9	7-1/2	3/4	8	5/8
6	11	9-1/2	7/8	8	3/4
8	13-1/2	11-3/4	7/8	8	3/4
10	16	14-1/4	1	12	7/8
12	19	17	1	12	7/8

Flange bolt patterns match ANSI 125# standards.

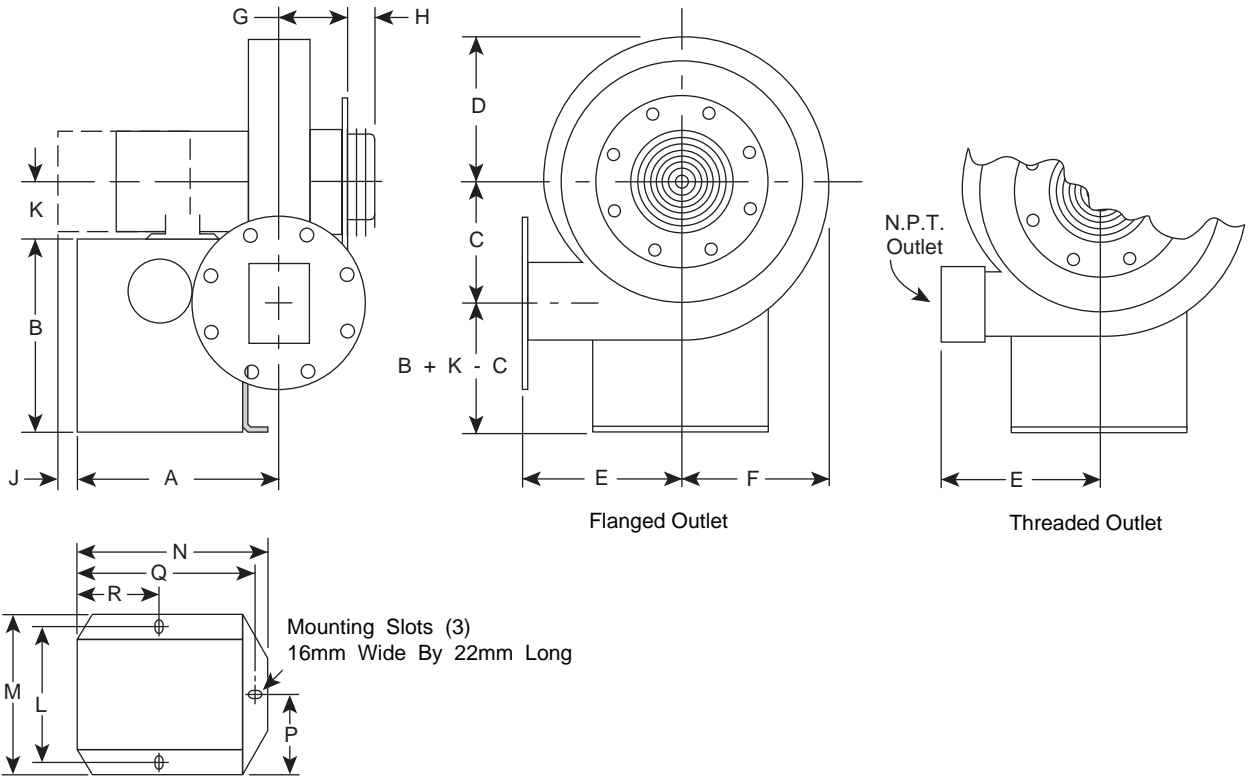
Blower Catalog No.	Motor HP	Inlet	Outlet	Dimensions in Inches									Base ¹
				A	B	C	D	E	F	G	H	J	
SMJ 3412 ²	1/3	4	3	9-3/16	9-1/2	7-1/2	8-3/8	10-1/8	8-11/16	4	1-7/8	—	1
SMJ 3414 ²	1/2 & 3/4	4	3	10	9-1/2	8-5/16	9-3/16	10-9/16	9-9/16	3-13/16	1-7/8	—	2
SMJ 3414	1/2 & 3/4	4	3	10	9-1/2	8-5/16	9-3/16	10-9/16	9-9/16	3-13/16	1-7/8	—	2
SMJ 3619 ²	1-1/2 & 2	6	3	11-3/16	12-1/2	11-3/4	13	15-5/8	13-5/16	4	1-7/8	—	4
SMJ 4412 ²	1/2	4	4	9-5/8	9-1/2	6-1/2	7-7/8	10-13/16	8-1/16	4-7/16	1-7/8	—	1
SMJ 4412 ²	3/4	4	4	10-5/8	9-1/2	6-1/2	7-7/8	10-13/16	8-1/16	4-7/16	1-7/8	—	1
SMJ 4610 ²	1/3 & 1/2	6	4	9-13/16	9-1/2	5-13/16	6-11/16	9-13/16	6-7/8	4-5/8	1-7/8	1-1/4	1
SMJ 4614 ²	1	6	4	11-1/2	12-1/2	8-11/16	10	13-13/16	10-3/16	4-5/16	1-7/8	—	4
SMJ 4615 ²	3/4 & 1	6	4	11-1/2	12-1/2	8-11/16	10	13-13/16	10-3/16	4-5/16	1-7/8	—	4
SMJ 4616 ²	1 & 1-1/2	6	4	11-3/8	12-1/2	9-1/2	11-1/8	14-13/16	11-5/16	4-3/16	1-7/8	—	4
SMJ 4617 ²	1-1/2	6	4	11-3/8	12-1/2	9-1/2	11-1/8	14-13/16	11-5/16	4-3/16	1-7/8	—	4
SMJ 4619 ²	2	6	4	11-1/4	12-1/2	11-3/4	13	15-13/16	13-5/16	4	1-7/8	—	4
SMJ 4621	2	6	4	15-3/16	15-1/2	12-3/4	14-3/8	16-7/8	14-1/2	4-1/2	1-7/8	—	5
SMJ 4623	3	6	4	15-5/16	15-1/2	13-9/16	14-11/16	15-3/8	15-3/8	4-5/8	1-7/8	—	5
SMJ 4623	5	6	4	15-5/16	15-1/2	14	15-1/16	15-3/8	15-3/8	4-5/8	1-7/8	—	5
SMJ 4628	5 & 7-1/2	6	4	17-1/16	19	16-7/8	18-3/16	18-3/8	18-1/2	4-9/16	1-7/8	—	6
SMJ 6614	1-1/2 & 2	6	6	12-7/16	12-1/2	8-1/4	9-13/16	12-3/8	10	5-1/4	1-7/8	—	4
SMJ 6615	2	6	6	12-7/16	12-1/2	8-1/4	9-13/16	12-3/8	10	5-1/4	1-7/8	—	4
SMJ 6617	3	6	6	11-7/8	12-1/2	9-3/8	11-1/8	13-3/8	11-1/4	4-3/4	1-7/8	1/2	5
SMJ 6619	3	6	6	15-3/16	15-1/2	11-3/4	13	14-3/8	13-5/16	4-1/2	1-7/8	—	5
SMJ 6619	5	6	6	15-3/16	15-1/2	11-3/4	13	14-3/8	13-5/16	5-3/4	1-7/8	—	5
SMJ 6621	3 & 5	6	6	14-3/4	15-1/2	12	14-1/16	14-3/8	14-9/16	4-1/16	1-7/8	—	5
SMJ 6623	7-1/2	6	6	15-15/16	15-1/2	12-9/16	15	17-3/8	15-1/4	5-3/16	1-7/8	—	5
SMJ 6812	2	8	6	12	12-1/2	7-5/16	8-7/16	10-3/8	8-13/16	5-1/4	1-7/8	1/2	3
SMJ 8813	3	8	8	14-1/2	12-1/2	8-7/8	10	12-3/8	10-9/16	7-5/16	1-7/8	9/16	4
SMJ 8814	3	8	8	16	15-1/2	9-11/16	11-1/4	12-3/8	12-1/16	5-1/4	1-7/8	—	5
SMJ 8815	3 & 5	8	8	16	15-1/2	9-11/16	11-1/4	12-3/8	12-1/16	5-1/4	1-7/8	—	5
SMJ 8816	5	8	8	16	15-1/2	9-11/16	11-1/4	12-3/8	12-1/16	5-1/4	1-7/8	—	5
SMJ 8817	5 & 7-1/2	8	8	16-7/16	15-1/2	9-7/8	11	13-7/8	11-7/8	5-3/4	1-7/8	—	5
SMJ 8819	7-1/2 & 10	8	8	16-1/8	15-1/2	13	14-5/16	15-3/8	15-3/16	5-7/16	1-7/8	—	5
SMJ 8821	7-1/2 & 10	8	8	18-1/2	19	14	15-1/2	15-3/8	16-7/16	5-3/4	1-7/8	—	6
SMJ 8823	10 & 15	8	8	20-1/8	19	14-9/16	16	16-3/8	16-7/8	5-1/2	1-7/8	—	7
SMJ 8828	25	8	8	19-1/2	19	15-1/4	18-1/8	22-3/8	18-3/8	4-7/8	1-7/8	3-1/8	7
SMJ 101016	7-1/2	10	10	18-11/16	15-1/2	10-13/16	12	14-3/8	12-3/4	8	2-3/8	—	5
SMJ 101016	10	10	10	20-11/16	19	10-13/16	12	14-3/8	12-3/4	8	2-3/8	—	6
SMJ 101018	15	10	10	20-1/4	19	12-1/4	13-1/4	14-3/8	14-9/16	7-9/16	2-3/8	1-7/8	6
SMJ 101019	10	10	10	19-3/4	19	13	14-3/8	15-3/8	15-1/4	7-1/16	2-3/8	—	6
SMJ 101021	15 & 20	10	10	21-7/16	19	14	15-1/2	15-3/8	16-7/16	6-3/4	2-3/8	—	7
SMJ 101023	20	10	10	20-13/16	19	14-3/16	16	18-3/8	17	6-3/16	2-3/8	—	7
SMJ 101023	25	10	10	20-13/16	19	14-3/16	16	18-3/8	17	6-3/16	2-3/8	3-1/8	7
SMJ 121217	15	12	12	20-11/16	19	10-13/16	12	14-3/8	12-3/4	8	2-3/8	1-3/4	6
SMJ 121219	15	12	12	23	19	13	14-1/2	15-3/8	15-1/4	8-1/4	2-3/8	—	7
SMJ 121220	20	12	12	23	19	13	14-1/2	15-3/8	15-1/4	8-1/4	2-3/8	—	7
SMJ 121221	25	12	12	22-1/16	19	14	15-9/16	15-3/8	16-6/16	7-3/8	2-3/8	3-1/8	7
SMJ 121222	25	12	12	22-1/16	19	14	15-9/16	15-3/8	16-7/16	7-3/8	2-3/8	3-1/8	7

¹ Refer to the base chart on page 4 for base mounting dimensions.

² Signifies an N.P.T. threaded outlet. All other blowers have flanged outlets with standard ANSI 125# bolt patterns. All inlets are flanged. Companion flanges are not standard, but are available at a nominal cost.

- **To order:** Specify blower catalog number, clockwise or counterclockwise rotation, motor HP, voltage, and frame size.

Dimensions & Specifications –Metric Units

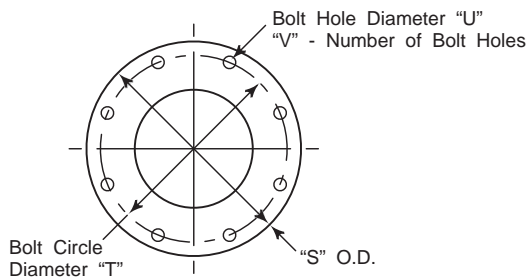


Base*	Dimensions (mm)						Bolt Dia.
	L	M	N	P	Q	R	
1	197	248	254	124	229	98	14
2	235	286	279	143	254	111	14
3	254	305	292	152	279	117	14
4	279	330	305	165	279	124	14
5	305	356	394	178	368	168	14
6	349	400	445	200	419	194	14
7	432	483	495	241	470	219	14

* See the main dimension table to find the base used on each blower.

Dimension "K" And Blower Motor Specifications						
All motors are 3600 RPM						
HP	Encl.	Frame Size	S.F.	Dim. "K" (mm)	V./Ph./Hz.	Part
1/3	TEFC	48	1.35	76	115/230/1/60	10755
1/3	TEFC	48	1.25	76	230/460/3/60	10448
1/2	TEFC	48	1.25	76	115/230/1/60	14531
1/2	TEFC	48	1.25	76	230/460/3/60	10449
1/2	TEFC	56	1.25	89	230/460/3/60	10032
3/4	TEFC	56	1.25	89	115/230/1/60	18777
3/4	TEFC	56	1.25	89	230/460/3/60	17723
1	TEFC	56	1.25	89	230/460/3/60	11189
1-1/2	TEFC	143T	1.15	89	230/460/3/60	10054797
1-1/2	TEFC	143T	1.15	89	115/230/1/60	16634
2	TEFC	145T	1.15	89	230/460/3/60	10054810
3	TEFC	182T	1.15	114	230/460/3/60	10054820
5	TEFC	184T	1.15	114	230/460/3/60	10054828
7-1/2	TEFC	213T	1.15	133	230/460/3/60	10054837
10	TEFC	215T	1.15	133	230/460/3/60	10054804
15	TEFC	254T	1.15	159	230/460/3/60	10054806
20	TEFC	256T	1.15	159	230/460/3/60	10054816
25	TEFC	284T	1.15	178	230/460/3/60	10054818

Flange Dimensions



Nominal Pipe Size	Dimensions (mm)				Bolt Dia.
	S	T	U	V	
76	191	152	19	4	16
102	229	191	19	8	16
152	279	241	22	8	19
203	343	298	22	8	19
254	406	362	25	12	22
305	483	432	25	12	22

Flange bolt patterns match ANSI 125# standards.

Dimensions & Specifications –Metric Units (continued)

Blower Catalog No.	Motor HP	Inlet	Outlet	Dimensions In Millimeters										Base ¹
				A	B	C	D	E	F	G	H	J		
SMJ 34123	1/3	102	3" NPT	233	241	191	213	257	221	102	48	—	1	
SMJ 34143	1/2 & 3/4	102	3" NPT	254	241	211	233	268	243	97	48	—	2	
SMJ 3414	1/2 & 3/4	102	76	254	241	211	233	268	243	97	48	—	2	
SMJ 36193	1-1/2 & 2	152	3" NPT	284	318	298	330	397	338	102	48	—	4	
SMJ 44123	1/2	102	4" NPT	244	241	165	200	275	206	113	48	—	1	
SMJ 44123	3/4	102	4" NPT	270	241	165	200	275	206	113	48	—	1	
SMJ 46103	1/3 & 1/2	152	4" NPT	249	241	148	170	249	175	117	48	32	1	
SMJ 46143	1	152	4" NPT	292	318	221	254	351	259	110	48	—	4	
SMJ 46153	3/4 & 1	152	4" NPT	292	318	221	254	351	259	110	48	—	4	
SMJ 46163	1 & 1-1/2	152	4" NPT	289	318	241	283	376	303	106	48	—	4	
SMJ 46173	1-1/2	152	4" NPT	289	318	241	283	376	303	106	48	—	4	
SMJ 46193	2	152	4" NPT	286	318	298	330	402	338	102	48	—	4	
SMJ 4621	2	152	102	386	394	324	365	429	368	114	48	—	5	
SMJ 4623	3	152	102	389	394	344	373	391	391	117	48	—	5	
SMJ 4623	5	152	102	389	394	356	383	391	391	117	48	—	5	
SMJ 4628	5 & 7-1/2	152	102	433	483	429	462	467	470	116	48	—	6	
SMJ 6614	1-1/2 & 2	152	152	316	318	210	249	314	254	133	48	—	4	
SMJ 6615	2	152	152	316	318	210	249	314	254	133	48	—	4	
SMJ 6617	3	152	152	302	318	238	283	340	286	121	48	—	4	
SMJ 6619	3	152	152	386	394	298	330	365	338	114	48	—	4	
SMJ 6619	5	152	152	386	394	298	330	365	338	146	48	—	5	
SMJ 6621	3 & 5	152	152	375	394	305	357	365	370	103	48	—	5	
SMJ 6623	7-1/2	152	152	405	394	319	381	441	387	132	48	—	5	
SMJ 6812	2	203	152	305	318	186	214	264	224	133	48	13	3	
SMJ 8813	3	203	203	368	318	225	254	314	268	186	48	14	4	
SMJ 8814	3	203	203	406	394	246	286	314	306	133	48	—	5	
SMJ 8815	3 & 5	203	203	406	394	246	286	314	306	133	48	—	5	
SMJ 8816	5	203	203	406	394	246	286	314	306	133	48	—	5	
SMJ 8817	5 & 7-1/2	203	203	418	394	251	279	352	302	146	48	—	5	
SMJ 8819	7-1/2 & 10	203	203	410	394	330	364	391	386	138	48	—	5	
SMJ 8821	7-1/2 & 10	203	203	470	483	356	394	391	418	133	48	—	6	
SMJ 8823	10 & 15	203	203	511	483	370	406	416	429	140	48	—	7	
SMJ 8828	25	203	203	495	483	387	460	568	467	124	48	79	7	
SMJ 101016	7-1/2	254	254	475	394	275	305	365	324	203	60	—	5	
SMJ 101016	10	254	254	525	483	275	305	365	324	203	60	—	6	
SMJ 101018	15	254	254	514	483	311	337	365	370	192	60	48	6	
SMJ 101019	10	254	254	502	483	330	365	391	387	179	60	—	6	
SMJ 101021	15 & 20	254	254	545	483	356	394	391	418	171	60	—	7	
SMJ 101023	20	254	254	529	483	376	406	467	432	157	60	—	7	
SMJ 101023	25	254	254	529	483	376	406	467	432	157	60	79	7	
SMJ 121217	15	305	305	525	483	275	305	365	324	203	60	44	6	
SMJ 121219	15	305	305	584	483	330	368	391	387	210	60	—	7	
SMJ 121220	20	305	305	584	483	330	368	391	387	210	60	—	7	
SMJ 121221	25	305	305	560	483	356	395	391	418	187	60	79	7	
SMJ 121222	25	305	305	560	483	356	395	391	418	187	60	79	7	

¹ Refer to the base chart on page 4 for base mounting dimensions.

- All other blowers have flanged outlets with standard ANSI 125# bolt patterns. All inlets are flanged. Companion flanges are not standard, but are available at a nominal cost.
- **To order:** Specify blower catalog number, clockwise or counterclockwise rotation, motor HP, voltage, and frame size.



Power Equipment Company
2011 Williamsburg Road
Richmond, Virginia 23231
Tel: 804-236-3800
Fax: 804-236-3882
www.peconet.com